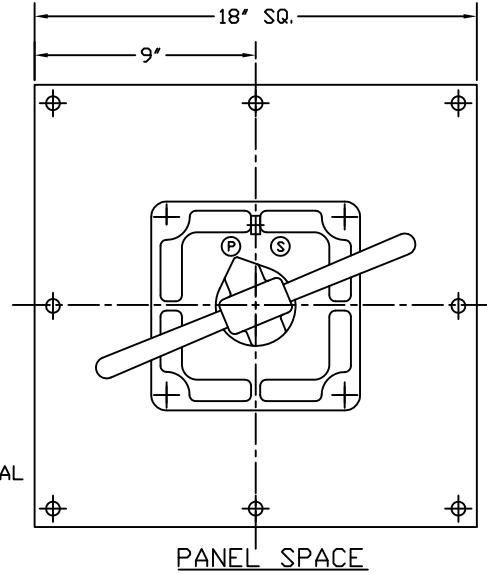
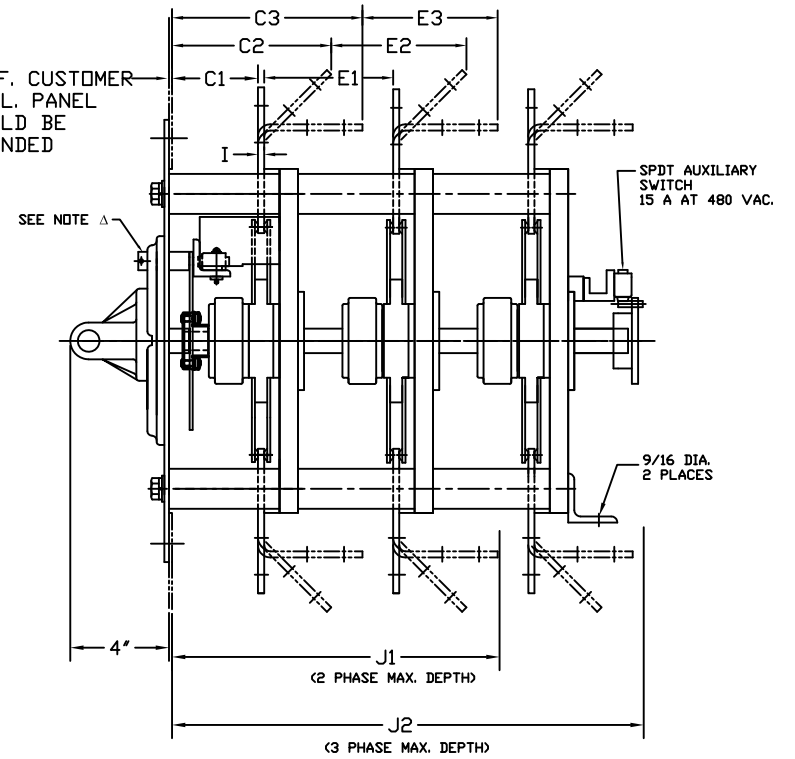


FRONT VIEW  
COVERS REMOVED

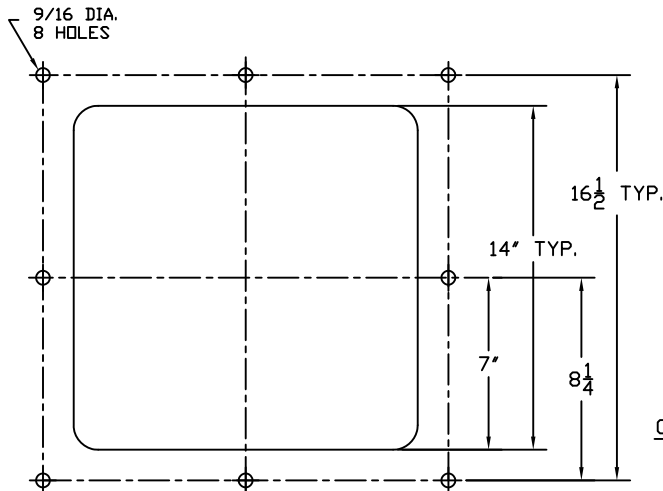


PANEL SPACE

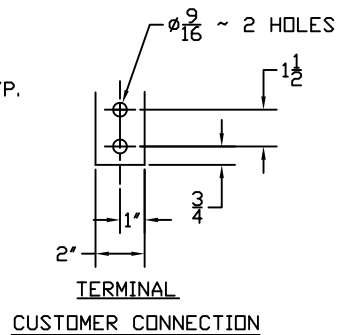
1/8 REF. CUSTOMER  
PANEL. PANEL  
SHOULD BE  
GROUNDED



Δ MECHANICAL INTERLOCK; PULL KNOB BEFORE OPERATING  
MAIN HANDLE. KNOB ACTIVATES A SPDT AUXILIARY  
SWITCH - 15 A AT 480 VAC.



PANEL DRILLING



TERMINAL  
CUSTOMER CONNECTION

BASIC SWITCH with STRAIGHT TERMINALS								
Amps	A1	B	C1	E1	I	J1	J2	
800-1000	19 11/16	8 3/4	2 1/4	5 1/4	1/4	11 7/8	17 3/8	

with AUXILIARY SWITCH		
J1	J2	
12 3/8	17 7/8	

MECHANICAL INTERLOCK with STRAIGHT TERMINALS								
Amps	A1	B	C1	E1	I	J1	J2	
800-1000	19 11/16	8 3/4	3 1/2	5 1/4	1/4	13 1/8	18 5/8	

BASIC SWITCH with 45° TERMINALS								
Amps	A2	B	C2	E2	I	J1	J2	
800-1000	20	9 1/8	5 1/4	5 1/2	1/4	11 7/8	17 3/8	

with AUXILIARY SWITCH		
J1	J2	
12 3/8	17 7/8	

MECHANICAL INTERLOCK with 45° TERMINALS								
Amps	A2	B	C2	E2	I	J1	J2	
800-1000	20	9 1/8	6 1/2	5 1/2	1/4	13 1/8	18 5/8	

BASIC SWITCH with 90° TERMINALS								
Amps	A3	B	C3	E3	I	J1	J2	
800-1000	16	8 3/4	6 1/2	5 1/2	1/4	12	17 1/2	

with AUXILIARY SWITCH		
J1	J2	
12 3/8	17 7/8	

MECHANICAL INTERLOCK with 90° TERMINALS								
Amps	A3	B	C3	E3	I	J1	J2	
800-1000	16	8 3/4	7 3/4	5 1/2	1/4	13 1/4	18 3/4	