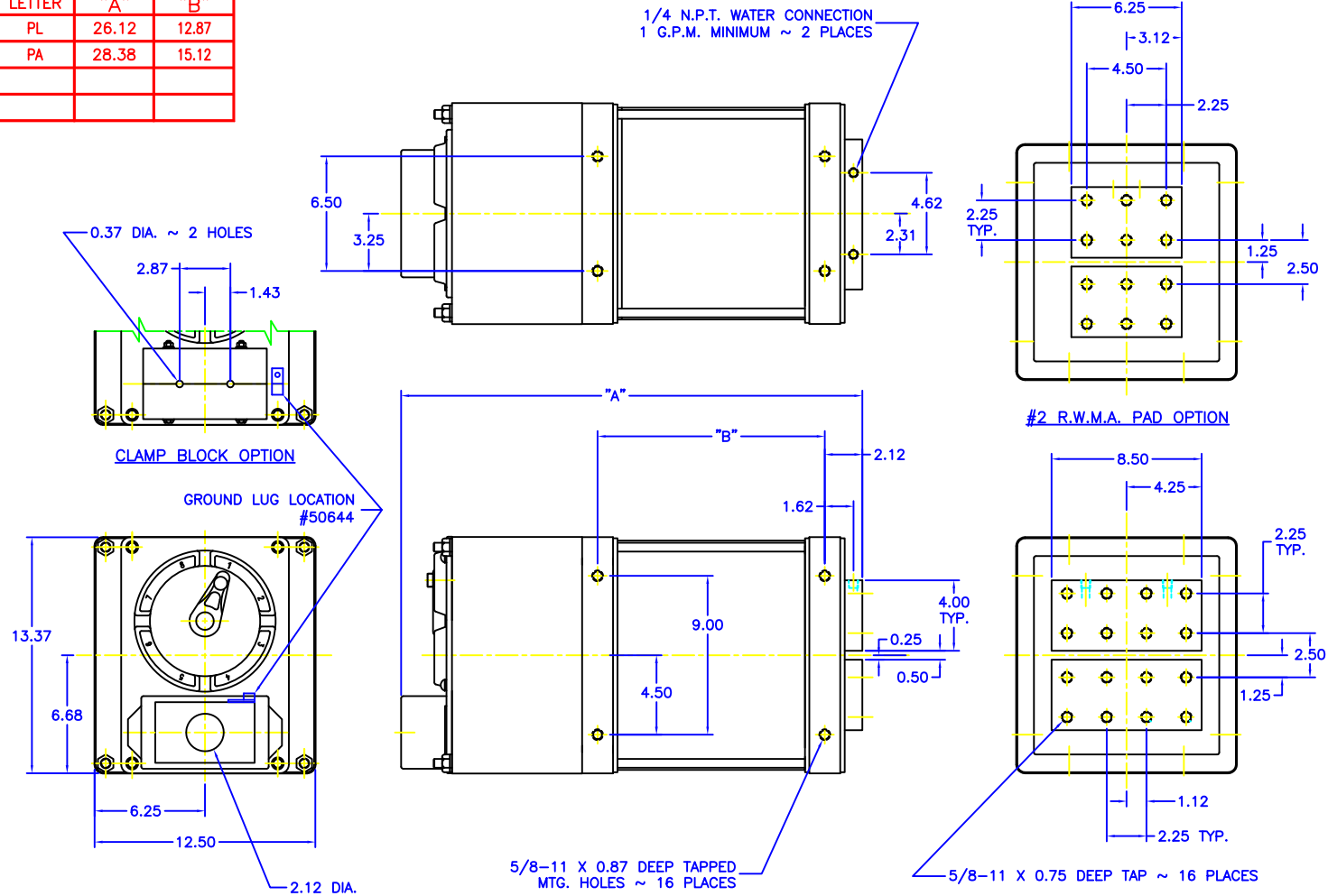


FRAME LETTER	DIM "A"	DIM "B"
PL	26.12	12.87
PA	28.38	15.12



MACHINE TYPE TRANSFORMER
TAP SWITCH: END MOUNT
FRAME CROSS SECTION: 12.50 X 13.37"

DRAWING NO. R1093
DATE: DEC. 1982

REV. C
JUNE 1999

C	ADDED GROUND LUG LOCATIONS	19May11
B	CHANGE FRACTIONS TO DECIMALS	23Jun99
A	CHANGED OVER TO CAD	28Jun98
REV	DESCRIPTION	DATE
SCALE: NONE		DRAWN BY: BK
DATE: 28Jan98		WEIGHT:
CATALOG DRAWING		
"P" FAMILY MACHINE TYPE		DRAWING NUMBER: R1093